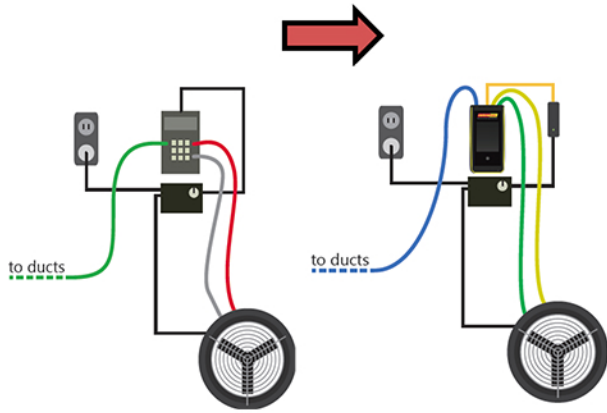
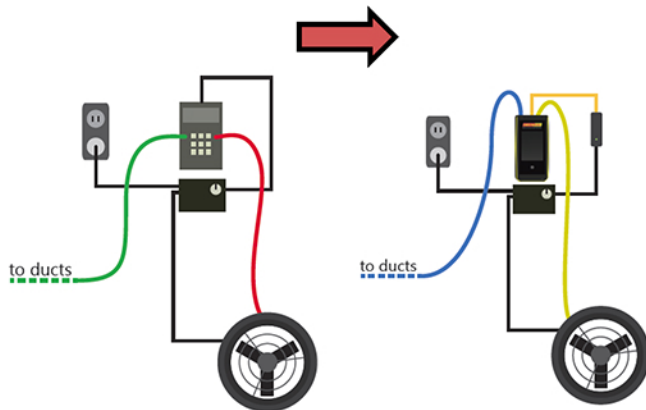


Duct Blaster®

Depressurize



Pressurize



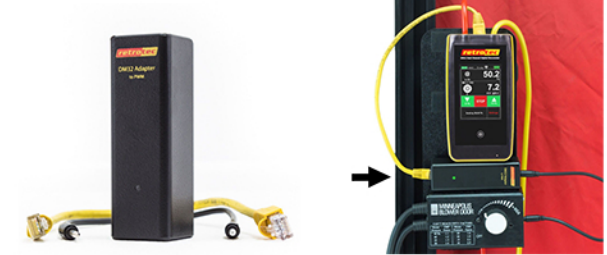
QuickGuide: Speed Control Adapter for TEC fans



1

Connect the adapter

- ❑ Connect yellow Ethernet-style cable from gauge to Adapter
- ❑ Connect 3.5mm fan control cable from Adapter to TEC Fan Speed Control



2

Connect pressure

Connect pressure tubes from gauge to fan - continue reading for color-coded connections for TEC fans



Minneapolis Blower Door™
Model 3



Minneapolis Blower Door™
Model 4

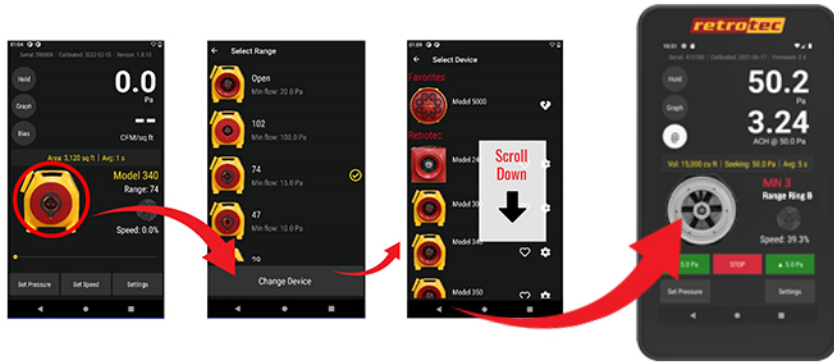


Minneapolis
Duct Blaster®

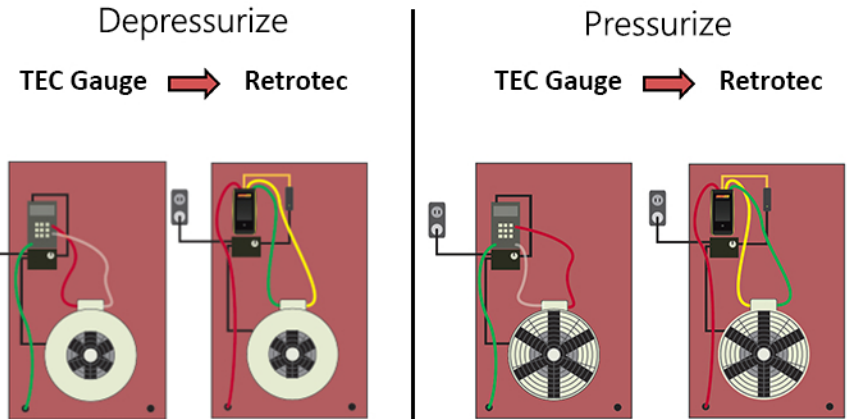


3 Set Device & Range

Tap [Range/Device] → [Change Device] to select proper fan in use

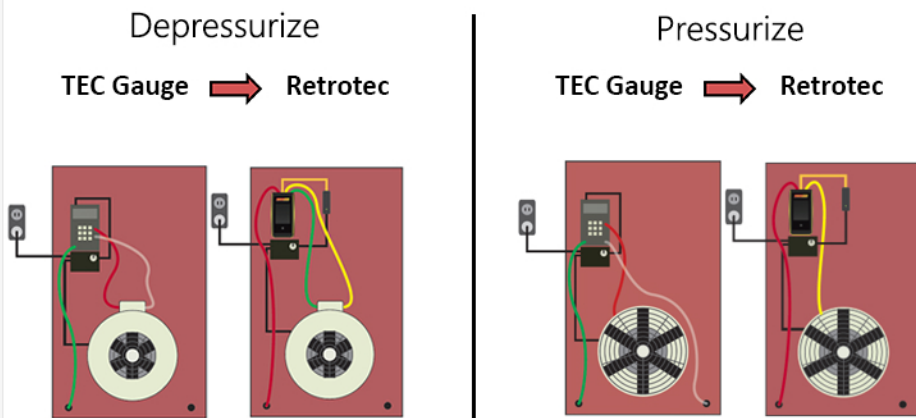


Model 4 (with 2 pressure taps)



Connections

Model 3



Speed Control Adapter Power

The Speed Control Adapter is powered using a 9V battery. Slide open the back cover to change.

